



System-4® Ball Valve



LISTED 12Y5
175 PSIG TRIM
AND DRAIN VALVE



NSF 61-8

ISO EN 9001:2000



S-100NE

Description

System 4® SuperBall™ - 1/4 turn, lever operated, hot forged brass ball valve. 100% full port. Blow-out proof two-piece design. Made in Italy. 100% tested.

Features

- 2 Viton® Stem O-rings
- Hostaflo® TFM-1600 Packing and Seats
- Ecological washed
- TEA coated ball
- 100% Full Port
- Sweat connections

Approvals

- UL Listed trim and drain
- NSF 61-8 Certified (1/2" - 2") - tested at 180° F (commercial hot water)
- Conforms to MSS SP-110

Accessories

- "Lift-N-Lock" locking device
- 2" Handle extension
- Lever and Round 304 stainless steel handles
- "Slo-Ball" Handle (for metering under high pressures)
- Red Painted Aluminum "T" Handle
- Pneumatic & Electric Actuation Available upon request

Warranty

The Company, for a period of one year from the date of shipment, warrants each product or system of its own manufacture to the original purchaser to be free from defects in material and workmanship under normal use, service and maintenance.

Architect/Engineer approval

Job Name _____ Date _____
 Model Specified _____ Quantity _____
 Variations Specified _____
 Customer/Wholesaler _____
 Contractor _____
 Architect _____

Note: Information subject to change without notice.



Jomar Valve
7243 Miller Drive
Warren, MI 48092
Phone: 800-325-5690
Fax: 800-628-4194
www.jomarvalve.com

S-100NE
© Copyright 2010 Printed in U.S.A.
0510

System-4[®] Ball Valve



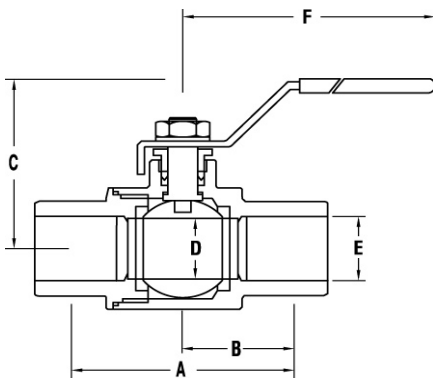
Description

System 4[®] SuperBall™ - 1/4 turn, lever operated, hot forged brass ball valve. 100% full port. Blow-out proof two-piece design. Made in Italy. 100% tested.

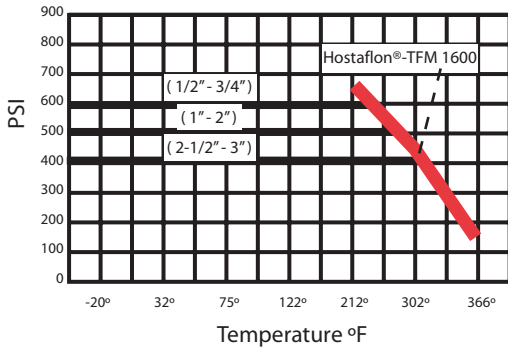
Dimensions in Inches

Computer No.	Valve Size	A	B	C	D	E	F	CV†
100-803	1/2"	2.48	1.24	1.53	0.59	0.63	2.95	20.25
100-804	3/4"	3.26	1.63	1.88	0.79	0.88	3.74	41.83
100-805	1"	3.93	1.97	2.36	1.00	1.13	4.72	78.38
100-806	1-1/4"	4.44	2.22	2.59	1.26	1.38	4.72	132.10
100-807	1-1/2"	5.07	2.54	3.22	1.57	1.63	5.90	206.96
100-808	2"	6.22	3.11	3.50	2.00	2.13	5.90	346.00
100-809	2-1/2"	7.28	3.64	4.52	2.48	2.63	7.87	484.39
100-810	3"	8.46	4.23	4.92	2.99	3.13	7.87	638.50

† The CV Factor is the gallons of water per minute passed through the valve with a 1 PSI pressure drop.



Valve Seat Rating



WARNING: S-100-NE valves are designed for temperatures up to 366°F, utilizing low pressure steam at 150 WSP MAXIMUM

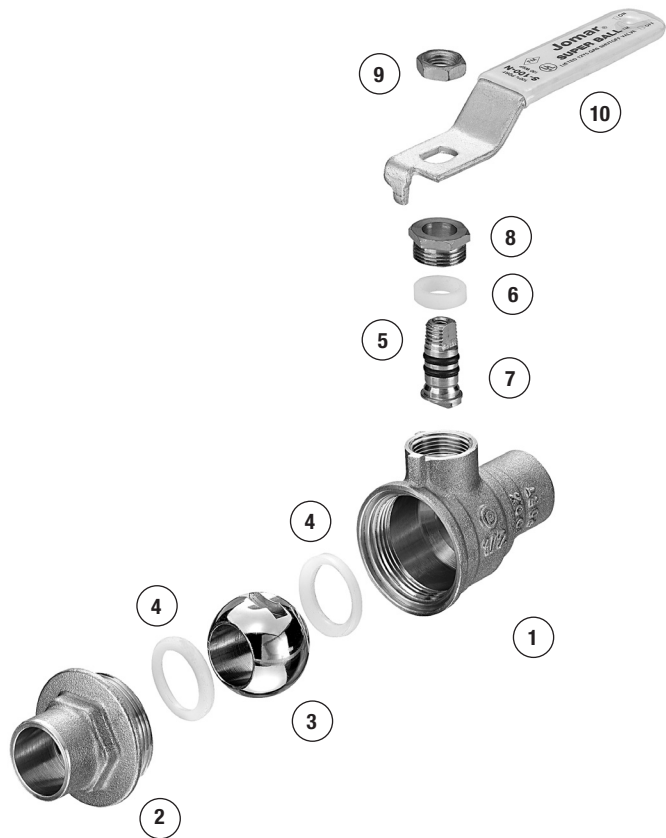
Note: Information subject to change without notice.

Material Specifications

No.	Part Name	Materials
1	Body	Ecologically Washed Forged Brass
2	2-Piece End Adapter	Ecologically Washed Forged Brass
3	Ball	TEA Coated Ball
4	Seat (2)	Hostaflon®-TFM 1600
5	Stem	Extruded Brass
6	Packing	Hostaflon®-TFM 1600
7	O-Rings, (2)	Viton®
8	Packing Gland	Extruded Brass
9	Hexagonal Nut	Dacromet Coated Steel
10	Handle	Dacromet Coated Steel

Pressure Rating

1/2"–3/4"	600 lbs. W.O.G. Non Shock
1"–2"	500 lbs. W.O.G. Non Shock
2-1/2"-3"	400lbs. W.O.G. Non Shock



Jomar Valve
7243 Miller Drive
Warren, MI 48092
Phone: 800-325-5690
Fax: 800-628-4194
www.jomarvalve.com