



System-6® Super Ball™ Valve



LISTED 842



LISTED 12Y5
175 PSIG TRIM
AND DRAIN VALVE



FIRE PROTECTION



C 125G - 1/2"-2"
US E.R. 93.5 PSIG - 2-
1/2"-3"



Food Industry
3/8"-3/4"



NSF 61-8

ISO EN 9001:2000

Description

System 6® SuperBall™ - 1/4 turn, lever operated, hot forged brass ball valve. 100% full port. Blow-out proof two-piece design. Made in Italy. 100% tested.

Features

- 2 Viton® Stem O-rings
- Hostaflon® TFM-1600 Packing and Seats
- Ecological washed
- Solid TEA coated brass ball
- 100% Full Port
- Vacuum service to 29"Hg
- Temperature Rating: -40°F to 366°F

Approvals

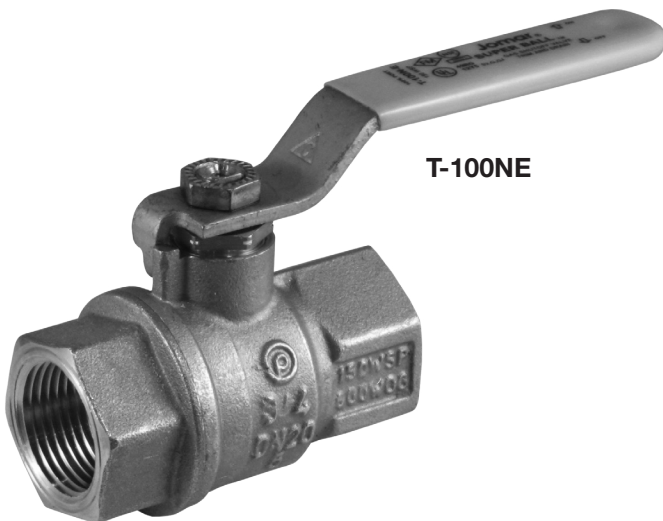
- UL Listed 842 (49RO)
 - VQGU - Trim & Drain
 - MHKZ - Manual Valves
 - YQNZ - Compressed gas shut-off valves
 - YRBX - Flammable liquid shut-off valves
 - YRPV - Gas shut-off valves
 - YSDT - LP gas shut-off valves
 - YQAR - Anhydrous ammonia shut-off valves
- FM approval
- CSA Certified
- Delta C
- NSF 61-8 Certified (1/4" - 2") - tested at 180° F (commercial hot water)
- Conforms to MSS SP-110

Accessories

- "Lift-N-Lock" locking device
- 2" Handle extension
- Lever and Round 304 stainless steel handles
- "Slo-Ball" Handle (for metering under high pressures)
- Pneumatic & Electric Actuation Available upon request

Warranty

The Company, for a period of one year from the date of shipment, warrants each product or system of its own manufacture to the original purchaser to be free from defects in material and workmanship under normal use, service and maintenance.



T-100NE

Architect/Engineer approval	
Job Name _____	Date _____
Model Specified _____	Quantity _____
Variations Specified _____	
Customer/Wholesaler _____	
Contractor _____	
Architect _____	

Note: Information subject to change without notice.



Jomar Valve
7243 Miller Drive
Warren, MI 48092
Phone: 800-325-5690
Fax: 800-628-4194
www.jomarvalve.com

System-6® Super Ball™ Valve



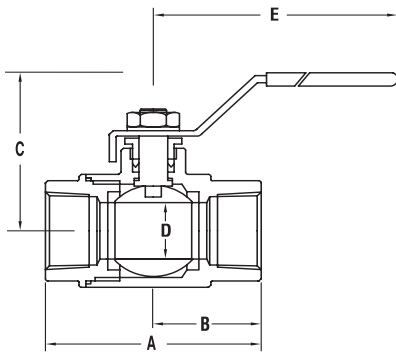
Description

System 6® SuperBall™ - 1/4 turn, lever operated, hot forged brass ball valve. 100% full port. Blow-out proof two-piece design. Made in Italy. 100% tested.

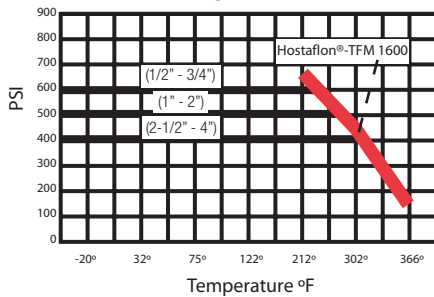
Dimensions in Inches

Computer No.	Valve Size	A	B	C	D	E	CV†
100-701	1/4"	1.81	0.91	1.41	0.39	2.95	11.84
100-702	3/8"	1.85	0.93	1.41	0.39	2.95	11.84
100-703	1/2"	2.48	1.24	1.53	0.59	2.95	20.25
100-704	3/4"	2.71	1.36	1.93	0.79	3.74	41.83
100-705	1"	3.30	1.65	2.40	1.00	4.72	78.38
100-706	1-1/4"	3.78	1.89	2.59	1.25	4.72	132.10
100-707	1-1/2"	4.17	2.09	3.22	1.57	5.90	206.96
100-708	2"	5.00	2.50	3.50	2.00	5.90	346.00
100-709	2-1/2"	6.06	3.03	4.72	2.48	2.50	484.39
100-710	3"	7.08	3.54	5.31	2.99	3.00	638.50
100-711	4"	8.66	4.33	5.90	3.93	4.00	1092.00

† The CV Factor is the gallons of water per minute passed through the valve with a 1 PSI pressure drop.



Valve Seat Rating



WARNING: T/S-100-NE valves are designed for temperatures up to 366°F, utilizing low pressure steam at 150 WSP MAXIMUM

Note: Information subject to change without notice.

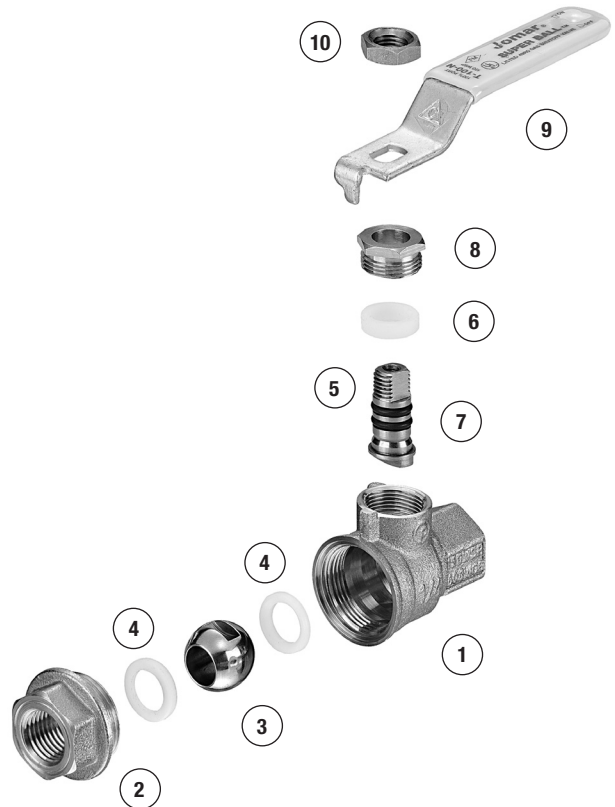
Material Specifications

No.	Part Name	Materials
1	Body	Ecologically Washed Forged Brass
2	End Adapter	Ecologically Washed Forged Brass
3	Ball	Solid TEA Coated Brass Ball
4	Seat (2)	Hostafion®-TFM 1600
5	Stem	Extruded Brass
6	Stem Packing	Hostafion®-TFM 1600®
7	Stem O-Rings, (2)	Viton®
8	Gland Follower	Extruded Brass
9	Lever Handle	Dacromet Coated Steel
10	Handle Nut	Dacromet Coated Steel

Viton is a registered trademark of DuPont Company
Hostafion is a registered trademark of Hoechst AG Frankfurt

Pressure Rating

1/4" - 3/4"	600 lbs. W.O.G. Non Shock
1" - 2"	500 lbs. W.O.G. Non Shock
2-1/2" - 4"	400 lbs. W.O.G. Non Shock
All Sizes:	150 WSP



Jomar Valve
7243 Miller Drive
Warren, MI 48092
Phone: 800-325-5690
Fax: 800-628-4194
www.jomarvalve.com