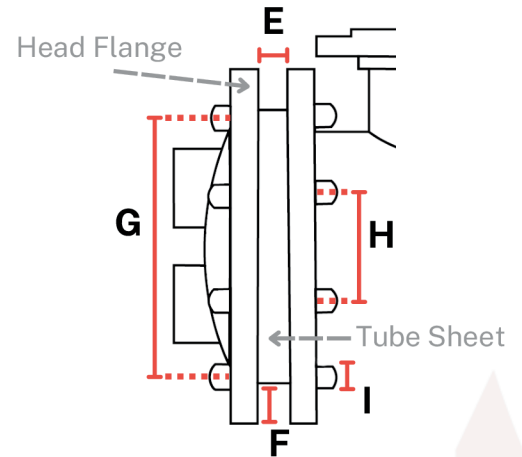
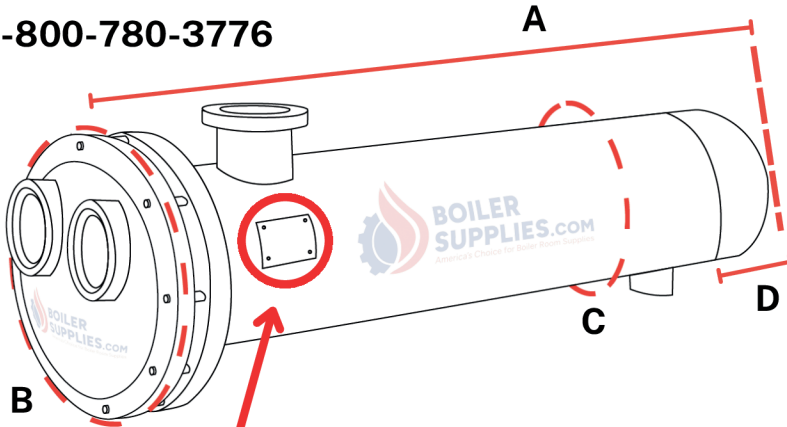


Heat Exchanger Quote Sheet



sales@boilerusa.com

1-800-780-3776



STOP: If you can access the unit's data tag (usually located here), no measurements are needed. Just retrieve this information:

National Board #: _____

Model #: _____

Year: _____

Serial #: _____

Manufacturer: _____

Number of Bolts: _____

Check One: Domestic Hot Water Heating Hot Water

Materials of Construction

Tube Sheet: _____ **Shell/Bonnet:** _____

Tube: _____ **Shell:** _____

Circle One of Each

<p>1. # of Passes</p> <p>2-Pass 4-Pass</p>	<p>2. Tube Sheet</p> <p>Boltless Full Face (Bolted)</p>
--	---

A. Overall Length: _____

Measure from where the head flange meets the tube sheet to the end of the shell

B. Flange Circumference: _____

Wrap garment tape or similar tool around the head flange to get circumference

C. Shell Circumference: (Optional) _____

If shell is covered in insulation, skip this step. Otherwise, wrap garment tape around the shell to get circumference.

D. Weld Line to End of Shell: _____

E. Tube Sheet Thickness: _____

Measure the distance between both flanges.

F. Tube Sheet to Lip of Flange: _____

Skip if measuring a bolted tube bundle. Otherwise, measure the distance from the top of the tube sheet to the lip of the flange

Skip the Following if Measuring a Boltless Tube Sheet:

G. Cross Bolt Center-to-Center: _____

If possible, measure from the center of one bolt to the center of the bolt directly opposite it on the flange.

H. Adjacent Bolt Center-to-Center: _____

I. Bolt Diameter: _____

Boiler Supplies | McDonough, GA | 1-800-780-3776

Phone: _____

Email: _____

Name: _____

Company Name: _____