

BOILER CONTROLS

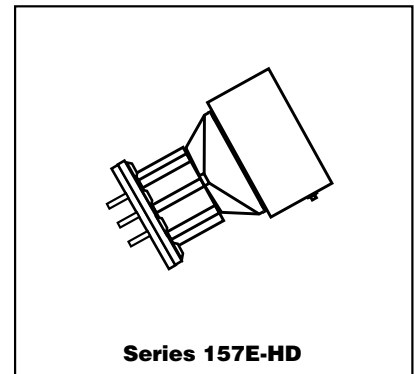
## Low Water Cut-Offs – Probe Type For Steam Boilers

### Series 150E & 157E Low Water Cut-Offs



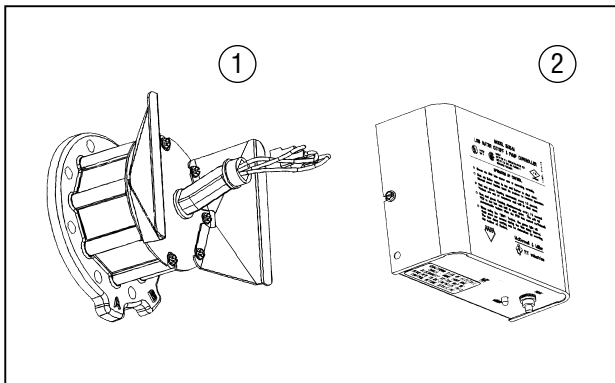
### Replacement Head Mechanisms

For Model	Repl. Head Model No.	Part Number	Description	Weight lbs. (kg)
150E	171640	150E-HD	Head, automatic reset	7.45 (3.48)
157E				



### Components

Item Number	Part Number	Model Number	Description	Weight lbs. (kg)
1	310492	150E-PF	Flange/Probe assembly	5.38 (2.51)
2	310490	150E-CU	Control unit, automatic reset	2.07 (.96)



**Series 150E and 157E**