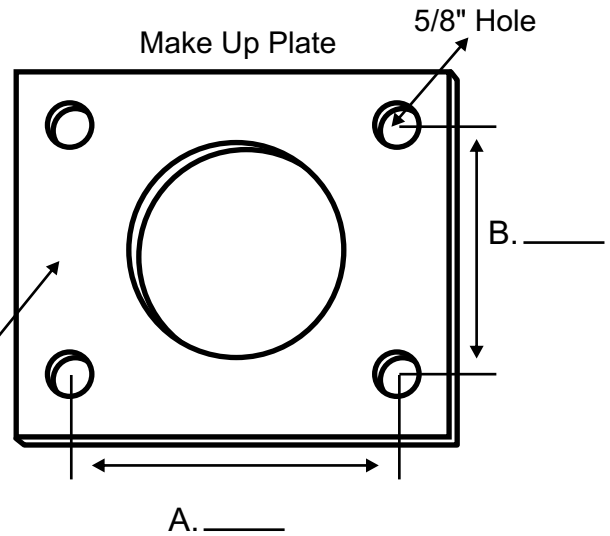
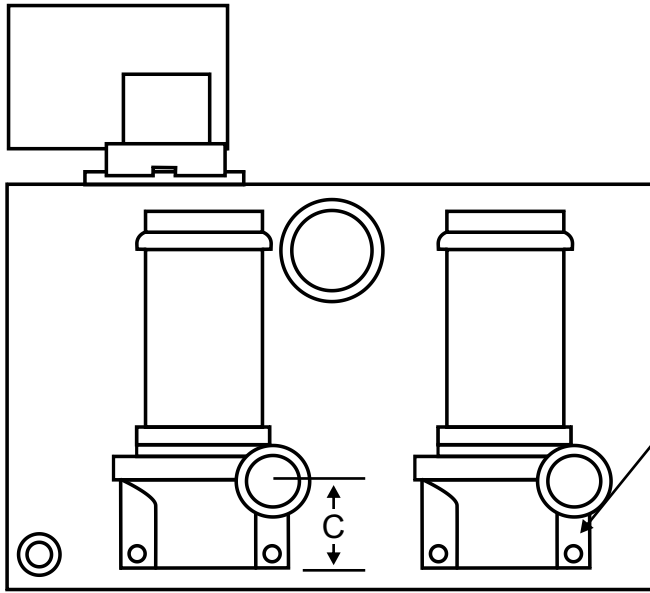


# Condensate Pump Replacement



\*\*\*Measurements must be accurate\*\*\*

## Additional information needed:

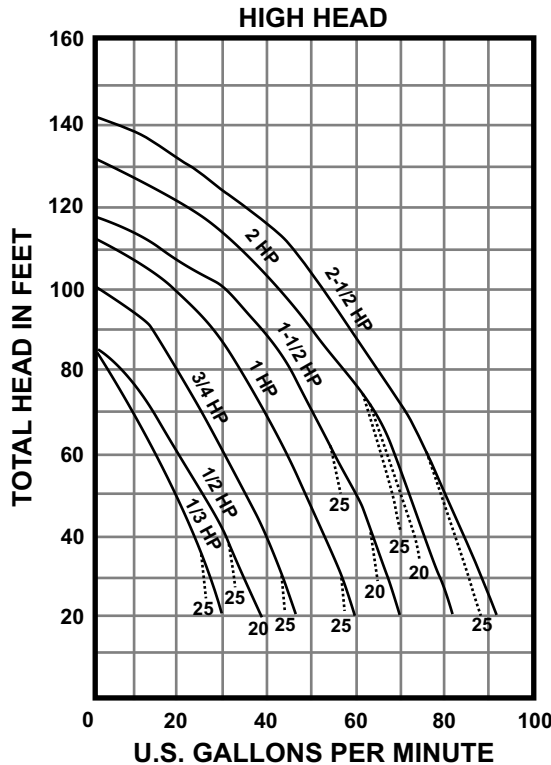
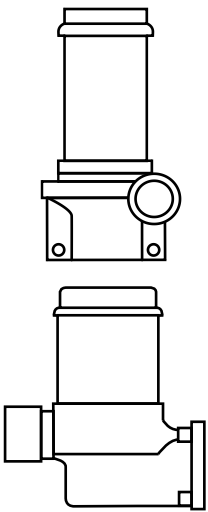
Measurement from bottom of Plate to center of discharge\* (see note below) C. \_\_\_\_\_

GPM \_\_\_\_\_ & PSI \_\_\_\_\_ or FtHd \_\_\_\_\_

**\*Our Pumps are 3-1/2" from center of discharge to bottom of plate**

H.P.	PSI	Hd in Ft	GPM	Discharge
1/2	10	23.1	35	1"
	20	46.2	28	
	30	69.3	15	
3/4	10	23.1	54	1"
	20	46.2	36	
	30	69.3	27	
	40	92.4	10	
1	10	23.1	58	1"
	20	46.2	50	
	30	69.3	40	
	40	92.4	25	
1-1/2	10	23.1	69	1"
	20	46.2	62	
	30	69.3	50	
	40	92.4	35	
	50	115.5	10	
2	10	23.1	82	1-1/2"
	20	46.2	75	
	30	69.3	64	
	40	92.4	39	
	50	115.5	30	
2-1/2	10	23.1	90	1-1/2"
	20	46.2	82	
	30	69.3	70	
	40	92.4	56	
	50	115.5	40	
	60	138.6	18	

## Airflow Replacement Pump



Larger Volume by Request

Name: \_\_\_\_\_

Company: \_\_\_\_\_

Date: \_\_\_\_\_

**PP** POWER PLUS INTERNATIONAL  
 143 McDonough Parkway  
 McDonough, GA 30253  
 Toll Free: 1-800-780-3776  
 770-957-9599 Fax 770-957-9563