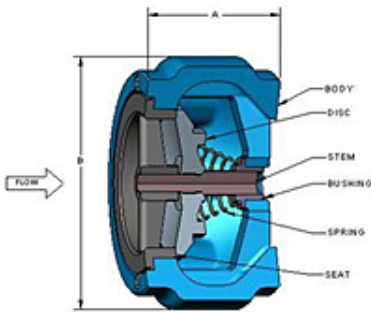


## WLC® Cast Iron Body Check Valves

Face-to-face according to MSS-SP126. **Not recommended for gas or steam service.**



Results 1 - 25 of 26

Prod. #	Size	Dimension A	Dimension B	Cv	Pressure Rating	Trim
9000V	DN 50 2 in	2.63 in 67 mm	4.25 in 108 mm	66	0 psig 400 psig 0 barg 27.6 barg	Bronze
9011V	DN 65 2.5 in	2.88 in 73 mm	5.00 in 127 mm	88	0 psig 400 psig 0 barg 27.6 barg	Bronze
9022V	DN 80 3 in	3.13 in 80 mm	5.75 in 146 mm	130	0 psig 400 psig 0 barg 27.6 barg	Bronze
9033V	DN 100 4 in	4.00 in 102 mm	7 in 178 mm	228	0 psig 400 psig 0 barg 27.6 barg	Bronze
9044V	DN 125 5 in	4.75 in 121 mm	8.38 in 213 mm	350	0 psig 400 psig 0 barg 27.6 barg	Bronze
9055V	DN 150 6 in	5.50 in 140 mm	9.75 in 248 mm	520	0 psig 400 psig 0 barg 27.6 barg	Bronze
9066V	DN 200 8 in	6.50 in 165 mm	13.37 in 340 mm	900	0 psig 200 psig 0 barg 13.8 barg	Bronze
9079V	DN 250 10 in	8.25 in 210 mm	16 in 406 mm	1450	0 psig 200 psig 0 barg 13.8 barg	Bronze
9068V	DN 200 8 in	6.50 in 165 mm	13.38 in 340 mm	900	0 psig 400 psig 0 barg 27.6 barg	Bronze
9081V	DN 250 10 in	8.25 in 210 mm	16 in 406 mm	1450	0 psig 400 psig 0 barg 27.6 barg	Bronze
9001V	DN 50 2 in	2.63 in 67 mm	4.25 in 108 mm	66	0 psig 200 psig 0 barg 13.8 barg	316 SS
9012V	DN 65 2.5 in	2.88 in 73 mm	5.00 in 127 mm	88	0 psig 200 psig 0 barg 13.8 barg	316 SS

9023V	DN 80 3 in	3.13 in 80 mm	5.75 in 146 mm	130	0 psig 200 psig 0 barg 13.8 barg	316 SS
9034V	DN 100 4 in	4.00 in 102 mm	7 in 178 mm	228	0 psig 200 psig 0 barg 13.8 barg	316 SS
9045V	DN 125 5 in	4.75 in 121 mm	8.38 in 213 mm	350	0 psig 200 psig 0 barg 13.8 barg	316 SS
9056V	DN 150 6 in	5.50 in 140 mm	9.75 in 248 mm	520	0 psig 200 psig 0 barg 13.8 barg	316 SS
9067V	DN 200 8 in	6.50 in 165 mm	13.37 in 340 mm	900	0 psig 200 psig 0 barg 13.8 barg	316 SS
9080V	DN 250 10 in	8.25 in 210 mm	16 in 406 mm	1450	0 psig 200 psig 0 barg 13.8 barg	316 SS
9001V	DN 50 2 in	2.63 in 67 mm	4.25 in 108 mm	66	0 psig 400 psig 0 barg 27.6 barg	316 SS
9012V	DN 65 2.5 in	2.88 in 73 mm	5.00 in 127 mm	88	0 psig 400 psig 0 barg 27.6 barg	316 SS
9023V	DN 80 3 in	3.13 in 80 mm	5.75 in 146 mm	130	0 psig 400 psig 0 barg 27.6 barg	316 SS
9034V	DN 100 4 in	4.00 in 102 mm	7 in 178 mm	228	0 psig 400 psig 0 barg 27.6 barg	316 SS
9045V	DN 125 5 in	4.75 in 121 mm	8.38 in 213 mm	350	0 psig 400 psig 0 barg 27.6 barg	316 SS
9056V	DN 150 6 in	5.50 in 140 mm	9.75 in 248 mm	520	0 psig 400 psig 0 barg 27.6 barg	316 SS
9069V	DN 200 8 in	6.50 in 165 mm	13.38 in 340 mm	900	0 psig 400 psig 0 barg 27.6 barg	316 SS

Results 1 - 25 of 26