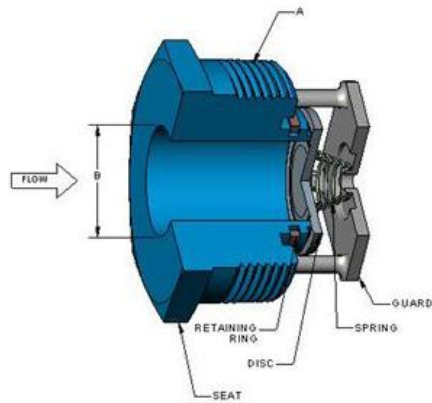


## Vacuum Breaker Threaded In-Line Check Valves

DFT® Vacuum Breakers provide effective protection against collapse of pressure vessels, tanks and rolls. They prevent condensate "back-up" when equipment is shut down or inlet steam is reduced by modulating control valves. In piping systems, DFT® Vacuum Breakers are used to break siphons, prevent pipe collapse during transient pressure drops, and to provide addition of air on the downstream side of check valves to dampen water hammer.



Results 1 - 13 of 13

Prod. #	Size	Nominal Size (MNPT) A	Unthreaded Inlet Bore B	Cv	Valve Cracking Pressure	Cold Working Pressure
8033	DN 25 1 in	1.00 in	0.56 in 14 mm	5.8	0.60 psi 0.041 bar 16.7 in.water 424 mm.water 31.1 mmHg	0 psig 2500 psig 0 barg 172 barg
8103	DN 25 1 in	1.00 in	0.56 in 14 mm	5.8	0.24 psi 0.017 bar 16.7 in.water 424 mm.water 31.1 mmHg	0 psig 2500 psig 0 barg 172 barg
8034	DN 40 1.5 in	1.50 in	0.88 in 22 mm	13.2	0.44 psi 0.030 bar 12.1 in.water 307 mm.water 22.6 mmHg	0 psig 2000 psig 0 barg 138 barg
8035	DN 50 2 in	2.00 in	1.09 in 28 mm	23.1	0.36 psi 0.025 bar 10.1 in.water 257 mm.water 18.8 mmHg	0 psig 1500 psig 0 barg 103 barg
8036	DN 65 2.5 in	2.50 in	1.50 in 38 mm	36	0.16 psi 0.011 bar 4.5 in.water 114 mm.water 8.4 mmHg	0 psig 850 psig 0 barg 58.6 barg

8037	DN 80 3 in	3.00 in	1.72 in 44 mm	57.4	0.15 psi 0.010 bar 4.2 in.water 107 mm.water 7.8 mmHg	0 psig 700 psig 0 barg 48.3 barg
8038	DN 100 4 in	4.00 in	2.22 in 56 mm	90	0.10 psi 0.007 bar 2.6 in.water 66 mm.water 4.8 mmHg	0 psig 450 psig 0 barg 31.0 barg
8094	DN 25 1 in	1.00 in	0.56 in 14 mm	5.8	0.60 psi 0.041 bar 16.7 in.water 424 mm.water 31.1 mmHg	0 psig 6000 psig 0 barg 414 barg
8095	DN 40 1.5 in	1.50 in	0.88 in 22 mm	13.2	0.44 psi 0.030 bar 12.1 in.water 307 mm.water 22.6 mmHg	0 psig 5500 psig 0 barg 379 barg
8096	DN 50 2 in	2.00 in	1.09 in 28 mm	23.1	0.36 psi 0.025 bar 10.1 in.water 257 mm.water 18.8 mmHg	0 psig 3000 psig 0 barg 207 barg
8097	DN 65 2.5 in	2.50 in	1.50 in 38 mm	36	0.16 psi 0.011 bar 4.5 in.water 114 mm.water 8.4 mmHg	0 psig 1100 psig 0 barg 75.8 barg
8098	DN 80 3 in	3.00 in	1.72 in 44 mm	57.4	0.15 psi 0.010 bar 4.2 in.water 107 mm.water 7.8 mmHg	0 psig 900 psig 0 barg 62.1 barg
8099	DN 100 4 in	4.00 in	2.22 in 56 mm	90	0.10 psi 0.007 bar 2.6 in.water 66 mm.water 4.8 mmHg	0 psig 450 psig 0 barg 31.0 barg

Results 1 - 13 of 13