



## System-6® Side Tap Ball Valve



LISTED 842



LISTED 12Y5  
175 PSIG TRIM  
AND DRAIN VALVE



C US



FIRE PROTECTION

ISO EN 9001:2000



T-100/STN

### Description

System 6® Side tap, 1/4 turn, lever operated, hot forged brass ball valve. 100% full port. Blow-out proof two-piece design. Made in Italy. 100% tested.

### Features

- Pressure rating: 600 WOG / 150 WSP
- Double Viton® O-rings
- Replaces non-code saddle valves
- Forged brass body
- 100% full port
- 1/4" side tap
- NPT connections
- Hard C.P. brass ball

### Approvals

- UL Listed 842 (49RO)
  - VQGU - Trim & Drain
  - MHKZ - Manual Valves
  - YQNZ - Compressed gas shut-off valves
  - YRBX - Flammable liquid shut-off valves
  - YRPV - Gas shut-off valves
  - YSDT - LP gas shut-off valves
  - YQAR - Anhydrous ammonia shut-off valves
- FM approval
- CSA Certified

### Accessories

- "Lift-N-Lock" locking device
- 2" Handle extension
- Lever and Round 304 stainless steel handles
- "Slo-Ball" Handle (for metering under high pressures)
- Red Painted Aluminum "T" Handle
- Pneumatic & Electric Actuation Available upon request

### Warranty

The Company, for a period of one year from the date of shipment, warrants each product or system of its own manufacture to the original purchaser to be free from defects in material and workmanship under normal use, service and maintenance.

| Architect/Engineer approval |                |
|-----------------------------|----------------|
| Job Name _____              | Date _____     |
| Model Specified _____       | Quantity _____ |
| Variations Specified _____  |                |
| Customer/Wholesaler _____   |                |
| Contractor _____            |                |
| Architect _____             |                |

Note: Information subject to change without notice.



Jomar Valve  
7243 Miller Drive  
Warren, MI 48092  
Phone: 800-325-5690  
Fax: 800-628-4194  
www.jomarvalve.com

## System-6® Side Tap Ball Valve



### Description

System 6® Side tap, 1/4 turn, lever operated, hot forged brass ball valve. 100% full port. Blow-out proof two-piece design. Made in Italy. 100% tested.

### Dimensions in Inches

| Computer No. | Valve Size | A    | B    | C    | D    | E    | CV†    |
|--------------|------------|------|------|------|------|------|--------|
| 170-102      | 3/8"       | 2.02 | 1.10 | 1.41 | 0.39 | 2.95 | 11.84  |
| 170-103      | 1/2"       | 2.48 | 1.26 | 1.53 | 0.59 | 2.95 | 20.25  |
| 170-104      | 3/4"       | 2.76 | 1.41 | 1.88 | 0.79 | 3.74 | 41.83  |
| 170-105      | 1"         | 2.84 | 1.69 | 2.36 | 1.00 | 4.72 | 78.38  |
| 170-106      | 1-1/4"     | 4.03 | 2.14 | 2.59 | 1.26 | 4.72 | 132.10 |
| 170-107      | 1-1/2"     | 4.72 | 2.34 | 3.22 | 1.57 | 5.90 | 206.96 |
| 170-108      | 2"         | 5.23 | 2.73 | 3.50 | 2.00 | 5.90 | 346.00 |

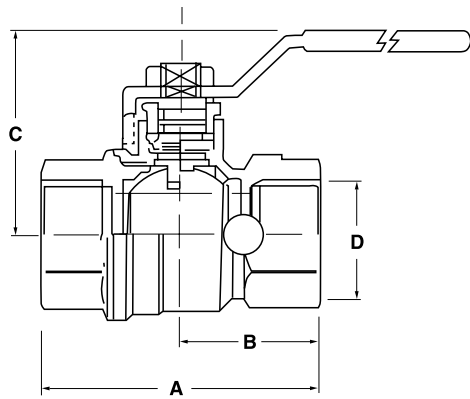
† The CV Factor is the gallons of water per minute passed through the valve with a 1 PSI pressure drop.

### Material Specification

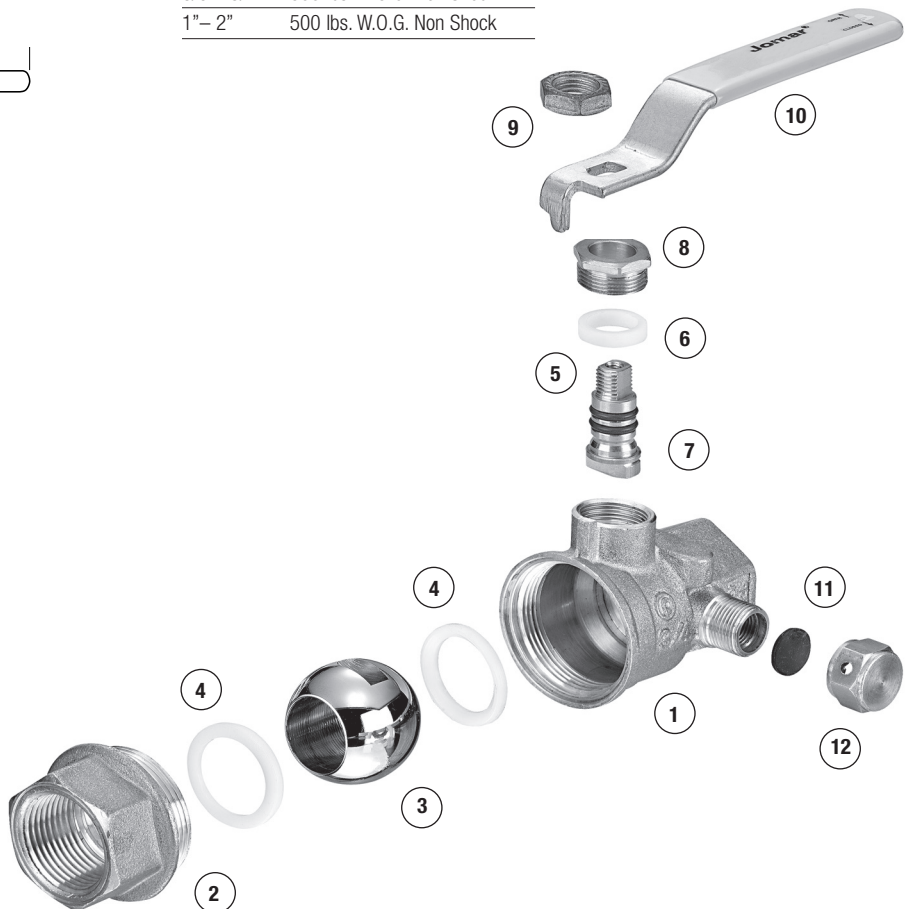
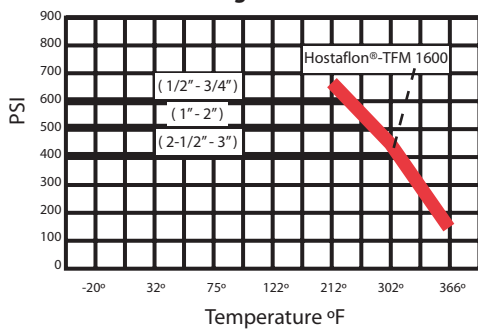
| No. | Part Name      | Materials             |
|-----|----------------|-----------------------|
| 1   | Body           | Hot Forged Brass      |
| 2   | End Adapter    | Hot Forged Brass      |
| 3   | Ball           | Hard C.P. Brass       |
| 4   | Seat           | Hostaflon®-TFM 1600   |
| 5   | Stem           | Extruded Brass        |
| 6   | Stem Packing   | Hostaflon®-TFM 1600   |
| 7   | O-Rings (2)    | Viton®                |
| 8   | Follower Gland | Extruded Brass        |
| 9   | Handle Nut     | Dacromet Coated Steel |
| 10  | Lever Handle   | Dacromet Coated Steel |
| 11  | Flat Washer    | BUNA-N                |
| 12  | Cap            | Extruded Brass        |

### Pressure Rating

|           |                           |
|-----------|---------------------------|
| 3/8"–3/4" | 600 lbs. W.O.G. Non Shock |
| 1"–2"     | 500 lbs. W.O.G. Non Shock |



Valve Seat Rating



Note: Information subject to change without notice.



Jomar Valve  
7243 Miller Drive  
Warren, MI 48092  
Phone: 800-325-5690  
Fax: 800-628-4194  
www.jomarvalve.com